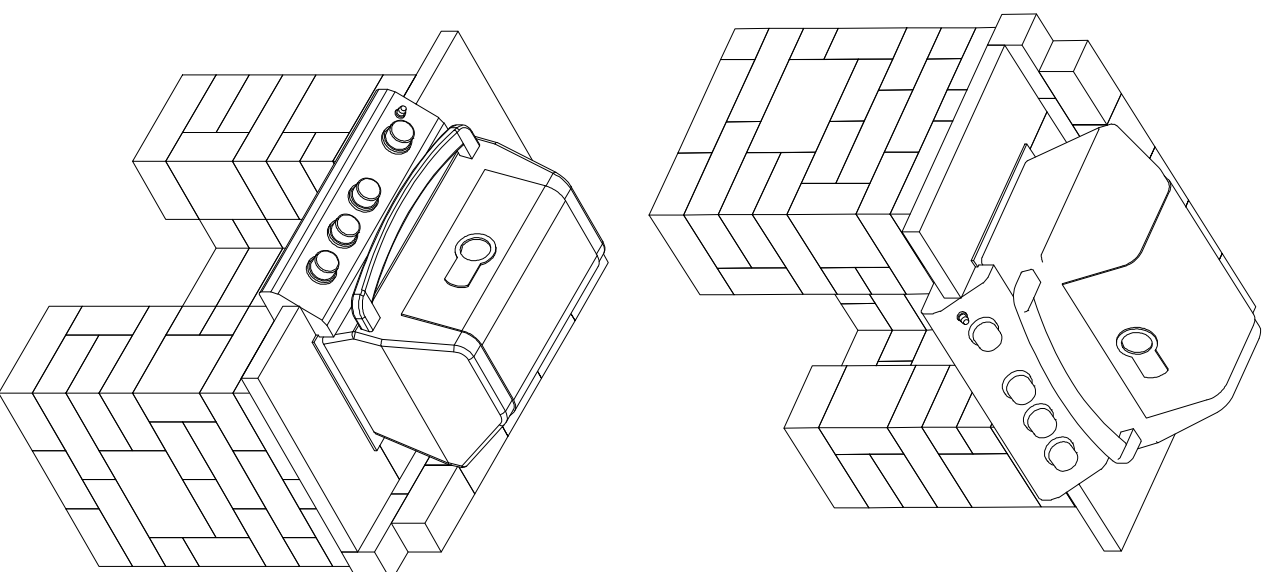
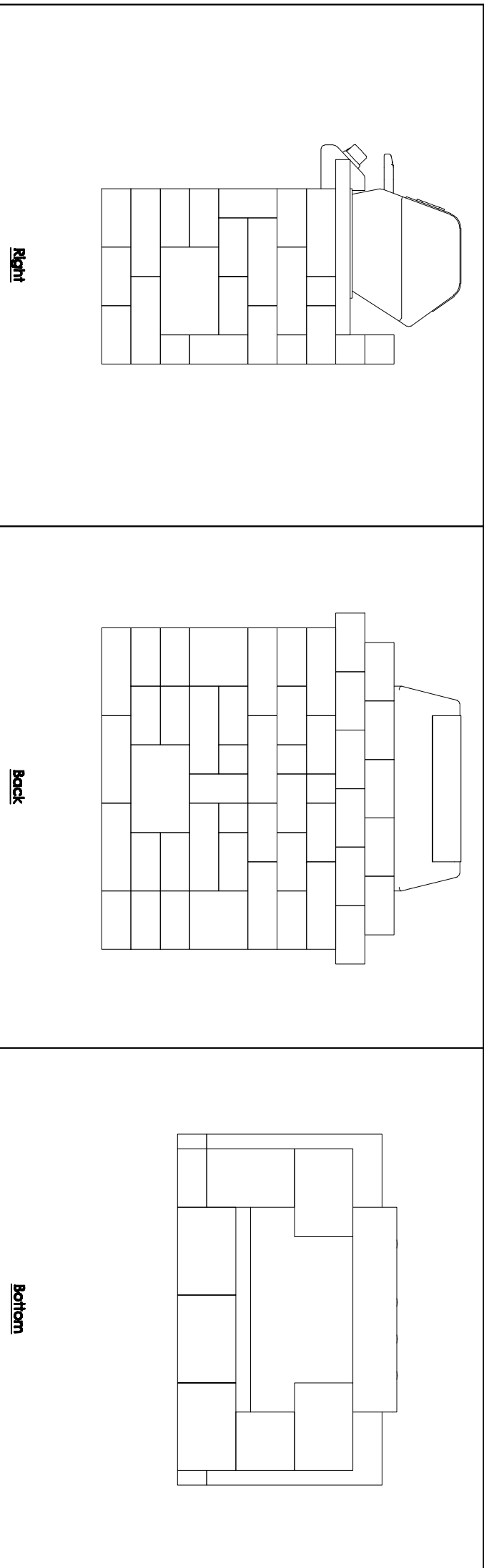
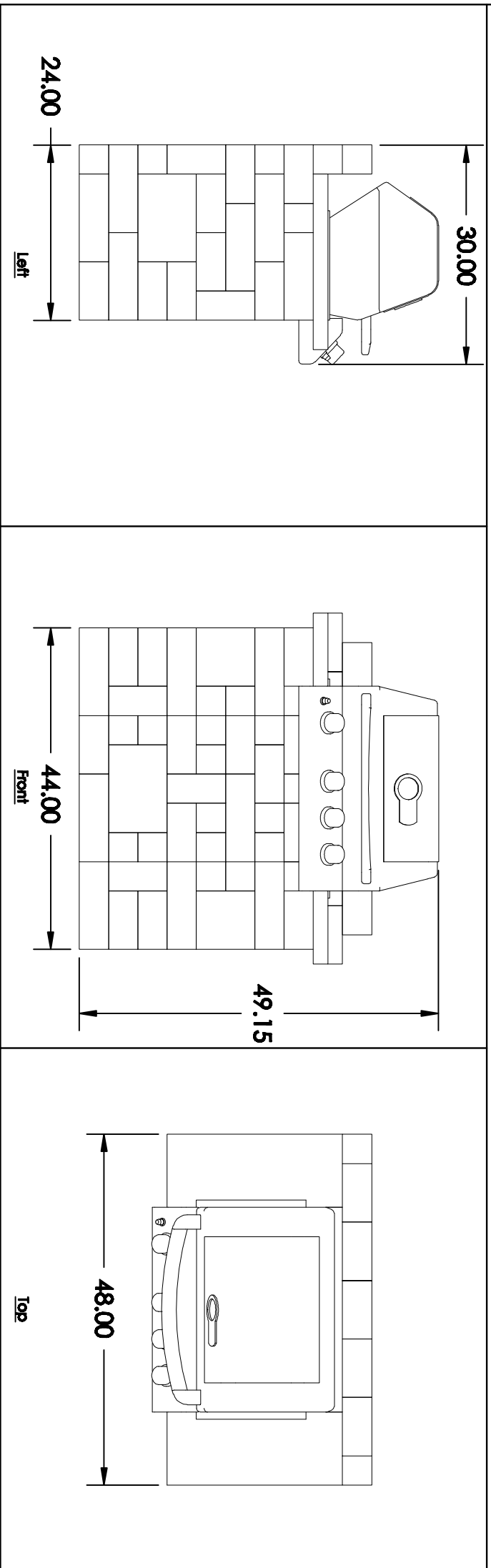


COMPACT BAR & GRILL

Lakeland

weeaaowiea™
Kits for outdoor living



This drawing is furnished for preliminary design purposes only, and should not be used for final design drawings or construction drawings without the certification of a professional engineer registered in the state in which the wall will be constructed

No.	Date	Revision	By



Legend	

Project Name:	XX	Proposed for:	CCC
Project Location:	YY	Design by:	DDD
Drawing Description:	COMPACT BAR & GRILL	Checked by:	
		Sheet # of #	
		Date: MM/DD/YYYY	
		Project Number: WWVPRO#	